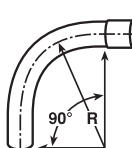
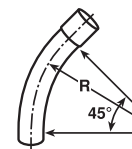
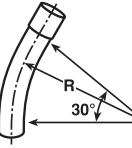


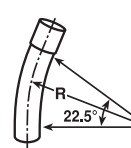
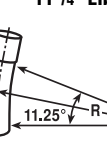
Rigid Nonmetallic Conduit – Schedule 40 Elbows

Schedule 40 Elbows Standard Radius

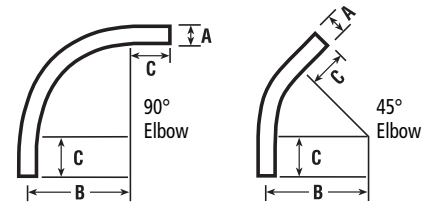
Available in plain and integral belled end for use with nonmetallic solvent weld fittings.



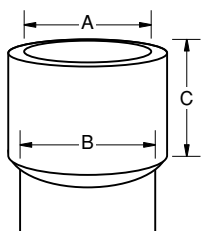
Item	Plain End Part No.	Belled End Part No.	Size	Plain End Std. Ctn. Qty.	Belled End Std. Ctn. Qty.	
90° Elbow 	UA9AD	UA9ADB	1/2"	50	50	
	UA9ADR-CAR	UA9ADB	1/2"	25	50	
	UA9AE	UA9AEB	3/4"	25	25	
	UA9AFR-CTN	UA9AFB-CTN	1"	25	25	
	UA9AG	UA9AGB	1 1/4"	20	20	
	UA9AH	UA9AHB	1 1/2"	25	25	
	UA9AJ	UA9AJB	2"	20	20	
	UA9AJ-CAR	UA9AJB	2"	5	20	
	UA9AK-CAR	UA9AKB-CAR	2 1/2"	10	10	
	UA9AL	UA9ALB-CAR	3"	1	5	
	UA9AM	UA9AMB	3 1/2"	1	20	
	UA9AN	UA9ANB	4"	1	1	
	UA9AP	UA9APB	5"	1	1	
	UA9AR	UA9ARB	6"	1	1	
	45° Elbow 	UA7AD	UA7ADB	1/2"	50	50
		UA7AE	UA7AEB	3/4"	25	25
UA7AER-CAR		UA7AEB	3/4"	15	25	
UA7AF		UA7AFB	1"	20	20	
UA7AF-CAR		UA7AFB	1"	15	20	
UA7AG		UA7AGB	1 1/4"	20	20	
UA7AH		UA7AHB	1 1/2"	20	20	
UA7AJ		UA7AJB	2"	20	20	
UA7AJ-CAR		UA7AJB-CAR	2"	4	4	
UA7AK		UA7AKB	2 1/2"	20	20	
UA7AK-CAR		UA7AKB-CAR	2 1/2"	5	5	
UA7AL-CAR		UA7ALB	3"	5	25	
UA7AL-CAR		UA7ALB-CAR	3"	5	10	
UA7AM		UA7AMB	3 1/2"	1	20	
UA7AN		UA7ANB	4"	1	20	
UA7AP		UA7APB	5"	1	1	
UA7AR	UA7ARB	6"	1	1		
30° Elbow 	UA6AD	UA6ADB	1/2"	50	50	
	UA6AE	UA6AEB	3/4"	25	25	
	UA6AF	UA6AFB	1"	25	1	
	UA6AG	UA6AGB	1 1/4"	20	20	
	UA6AH	UA6AHB	1 1/2"	25	1	
	UA6AJ	UA6AJB	2"	20	20	
	UA6AK	UA6AKB	2 1/2"	10	20	
	UA6AL	UA6ALB	3"	1	1	
	UA6AM	UA6AMB	3 1/2"	1	1	
	UA6AN	UA6ANB	4"	1	1	
	UA6AP	UA6APB	5"	1	1	
	UA6AR	UA6ARB	6"	1	1	

Item	Plain End Part No.	Belled End Part No.	Size	Plain End Std. Ctn. Qty.	Belled End Std. Ctn. Qty.
22 1/2° Elbow 	UA5AD	-	1/2"	1	-
	UA5AE	-	3/4"	1	-
	UA5AF	-	1"	1	-
	UA5AG	-	1 1/4"	1	-
	UA5AH	-	1 1/2"	1	-
	UA5AJ	UA5AJB	2"	25	1
	UA5AK	-	2 1/2"	20	-
	UA5AL	UA5ALB	3"	5	1
	UA5AM	-	3 1/2"	1	-
	UA5AN	UA5ANB	4"	1	1
11 1/4° Elbow 	UA3AD	-	1/2"	1	-
	UA3AE	-	3/4"	1	-
	UA3AF	-	1"	1	-
	UA3AG	-	1 1/4"	1	-
	UA3AH	-	1 1/2"	1	-
	UA3AJ	-	2"	1	-
	UA3AK	-	2 1/2"	1	-
	UA3AL	-	3"	1	-
	UA3AM	-	3 1/2"	1	-
	UA3AN	UA3ANB	4"	1	1
UA3AP	-	5"	1	-	
UA3AR	-	6"	1	-	

Standard Radius Elbow Dimensions



Integral Belled End Dimensions



Trade Size	A		B		C	
	At Entrance Max.	Min.	At Bottom Max.	Min.	Socket Depth Max.	Min.
1/2"	.860	0.844	0.844	0.828	1.500	0.652
3/4"	1.074	1.054	1.056	1.036	1.500	0.719
1"	1.340	1.320	1.320	1.300	1.875	0.875
1 1/4"	1.689	1.665	1.667	1.643	2.000	0.938
1 1/2"	1.930	1.906	1.906	1.882	2.000	1.062
2"	2.405	2.381	2.381	2.357	2.000	1.125
2 1/2"	2.905	2.875	2.883	2.853	3.000	1.469
3"	3.530	3.500	3.507	3.477	3.125	1.594
3 1/2"	4.065	3.965	4.007	3.977	3.250	1.687
4"	4.565	4.465	4.506	4.476	3.375	1.750
5"	5.643	5.543	5.583	5.523	3.625	1.937
6"	6.708	6.608	6.644	6.584	3.750	2.125

Size	A	B Min. (Radius)	C Min.
1/2"	.840	4"	1 1/2"
3/4"	1.050	4 1/2"	1 1/2"
1"	1.315	5 3/4"	1 7/8"
1 1/4"	1.660	7 1/4"	2"
1 1/2"	1.900	8 1/4"	2"
2"	2.375	9 1/2"	2"
2 1/2"	2.875	10 1/2"	3"
3"	3.500	13"	3 1/8"
3 1/2"	4.000	15"	3 1/4"
4"	4.500	16"	3 3/8"
5"	5.563	24"	3 5/8"
6"	6.625	30"	3 3/4"