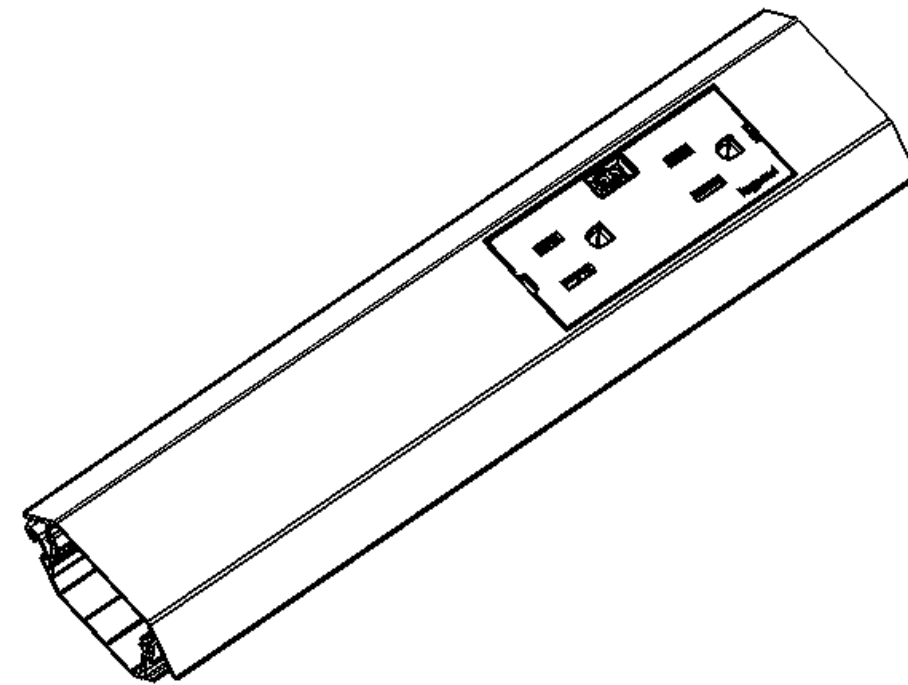
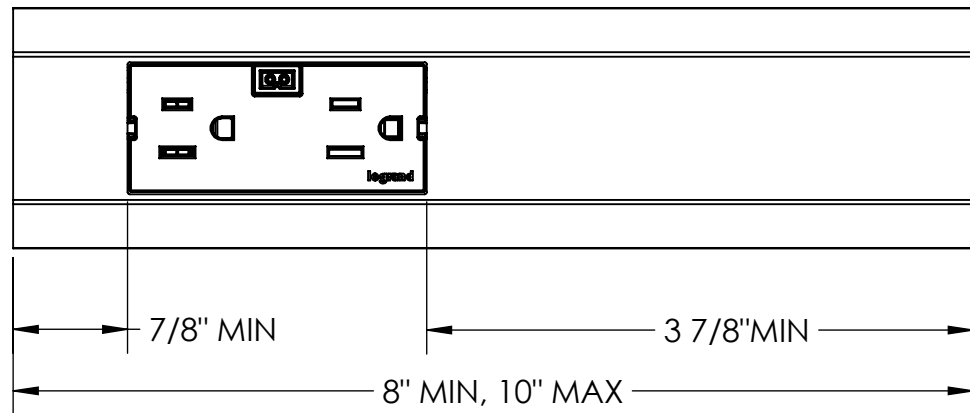
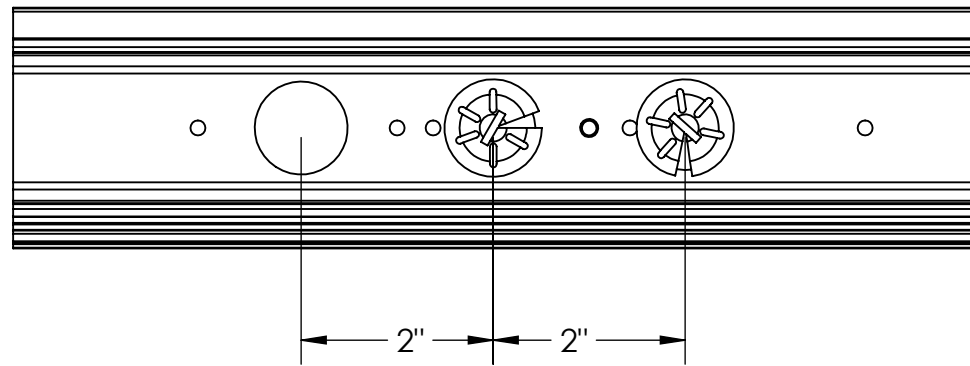
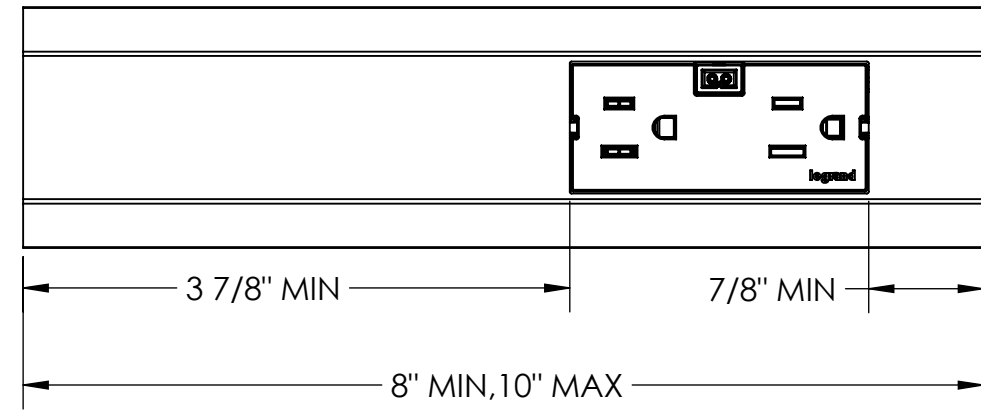
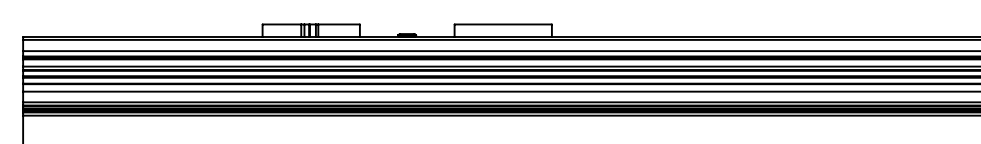
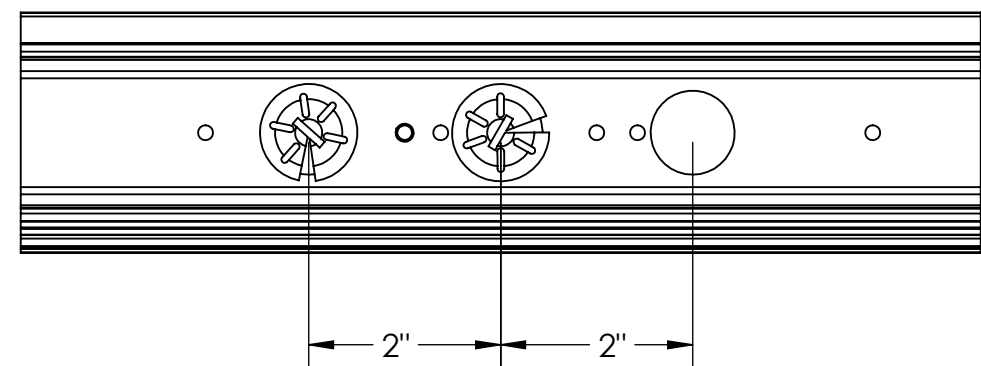


Legrand
SYSTEM: Under Cabinet Lighting System
Catalog Number: APST9TM1
1/24/2013

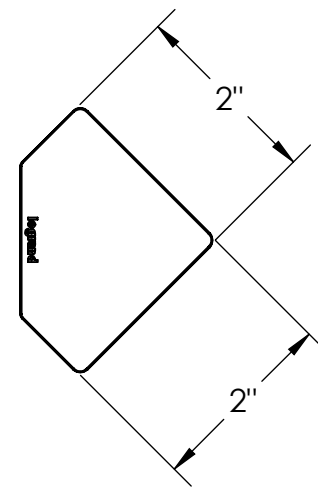




LEFT CONFIGURATION



RIGHT CONFIGURATION



PRODUCT COMES WITH TWO RIGHT AND LEFT COVERS
 COVER AND BASE CAN BE FIELD CUT TO MINIMUM DIMENSIONS
 SHOWN TO ACCOMODATE 12 AND 9 INCH CABINETS
 PRODUCT INCLUDES END CAPS WHICH WILL ADD 1/8" TO OVERALL LENGTH